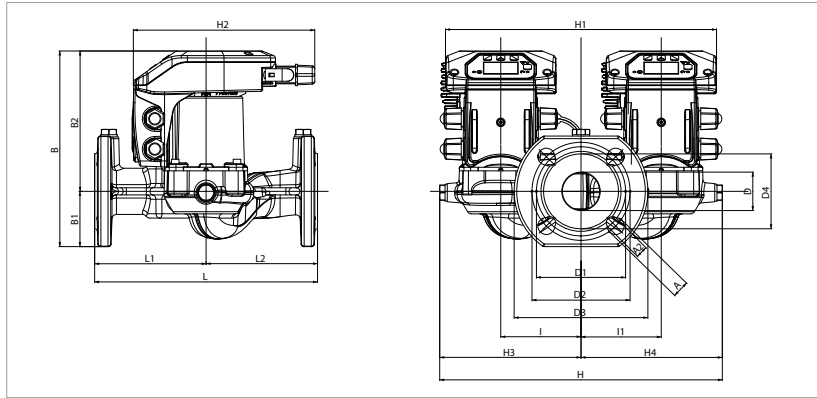


# EVOPLUS SMALL - ELECTRONIC CIRCULATORS FOR HEATING AND AIR-CONDITIONING SYSTEMS

| MODEL                 | CENTRE DISTANCE mm | COUNTERFLANGES ON REQUEST | VOLTAGE 50/60 Hz | P1 MAX W | In A | EEI        | MINIMUM HEAD PRESSURE |     |      | WEIGHT Kg |
|-----------------------|--------------------|---------------------------|------------------|----------|------|------------|-----------------------|-----|------|-----------|
|                       |                    |                           |                  |          |      |            | t°                    | 90° | 100° |           |
| EVOPLUS D 40/250.40 M | 250                | DN 40 PN 10               | 220/240 V        | 75       | 0,55 | EEI ≤ 0,22 | m.c.a.                | 20  | 25   | 14,2      |
| EVOPLUS D 60/250.40 M | 250                | DN 40 PN 10               | 220/240 V        | 100      | 0,75 | EEI ≤ 0,22 | m.c.a.                | 20  | 25   | 14,2      |

Liquid temperature range: da -10°C a +110°C - Maximum operating pressure: 16 bar (1600 kPa)



| L   | L1  | L2  | A  | A2 | B   | B1 | B2  | D  | D1  |
|-----|-----|-----|----|----|-----|----|-----|----|-----|
| 250 | 125 | 125 | 19 | 14 | 220 | 62 | 158 | 43 | 100 |

| D2  | D3  | D4 | I  | I1 | H   | H1  | H2  | H3  | H4  |
|-----|-----|----|----|----|-----|-----|-----|-----|-----|
| 110 | 150 | 84 | 90 | 90 | 300 | 304 | 204 | 150 | 150 |

The performance curves are based on kinematic viscosity values = 1 mm<sup>2</sup>/s and density equivalent to 1000 kg/m<sup>3</sup>. Tolerance of curves to ISO 9906. Constant curve available on DNA.

